

■ Convenient
 ■ Strong
 ■ Long-lasting



Ridge



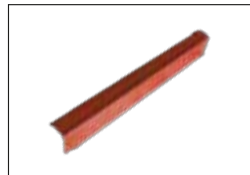
Three Way Ridge



Diagonal Ridge



Terminal Diagonal Ridge



Barge Board



Fastener Screws



envisonmedia





Product Description

McDura Synthetic Roofing Sheet is one of the latest roofing sheets introduced to the market. This Product consists of 3 layers of polymer resin, which includes an outer surface coated with Acrylonitrile Styrene Acrylate (ASA). McDura has many proven features such as weather resistance, durability, easy to install, light weight and environment-friendly, etc.

Colour Choice



Purplish Red Bright Red



Orange Gray



Brick Red Gold

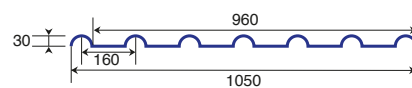


Dark Green Blue

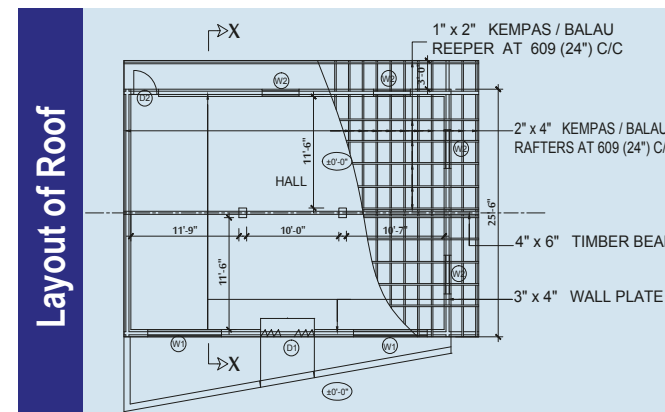
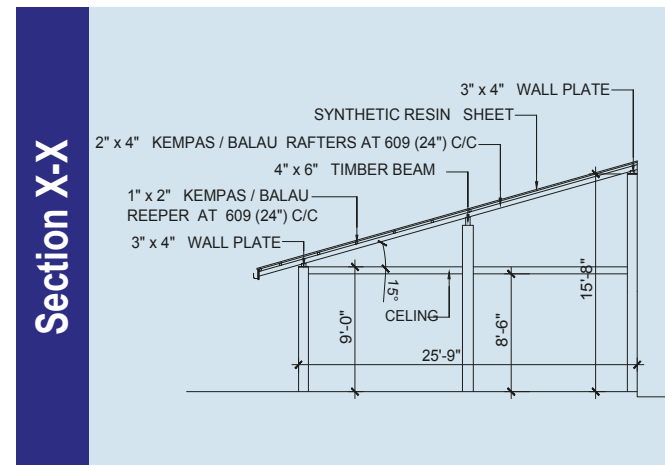
Product Specifications for McDura 1050mm

Sheet Width	1050mm
Effective Width	960mm
Wave Length	218mm
Thickness	3.0mm
Standard Length of Sheet	6.0'/8.0'/10.0'
Purline Space	18" - 24"
Head Overlap	218mm
Side Overlap	90mm

Profile



Property	Unit Of Measurement	Value	Standard	Testing Institute
Density	g/cm ³	1.71	ASTM D 792	University of Moratuwa
Tensile Strength	Mpa	21.9	ASTM D 638	
Tear Resistance	N	254.4	ASTM D 1004	
Corrosion Resistivity	NA	No corrosion was observed	ASTM B 117	
Water Absorption	%	0.015	ISO 62	
Flame Test (Comparative)	NA	V-0	ASTM D 3801	
Temperature of deflection under load	° C	75.6	ISO 75 :1 & 2	
UV Resistance Test	NA	No Change	ISO 4582	
Thermal Conductivity Test	W/mK	0.11	Modified Lee's Disc Method	
Impact Strength	kJ/m ²	9.3	ISO:180/A:2000	



No Health Issues



Resistance to High Temperature



Fire Retardant



Anti-Fungal



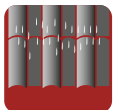
Light Weight



Resistance to Heavy Load



Environment Friendly



Resistance to Chemicals



Easy to Install



No Colour Fading